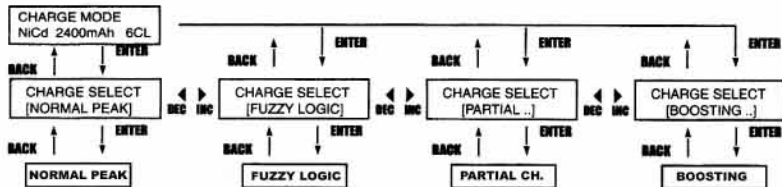
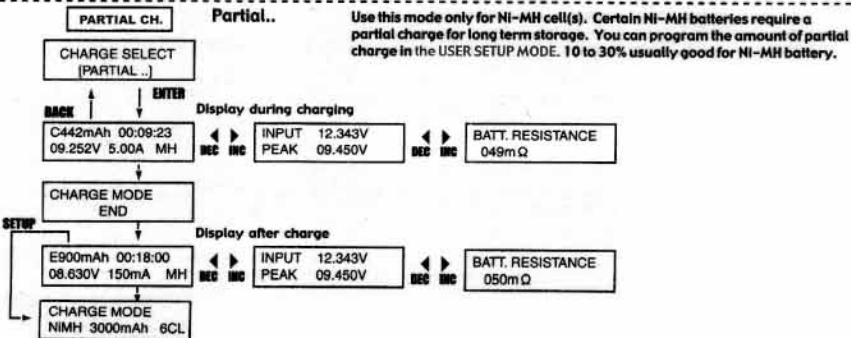
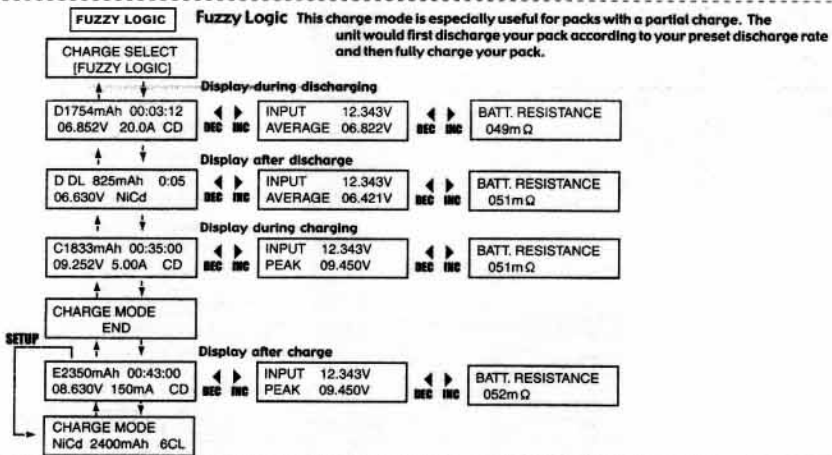
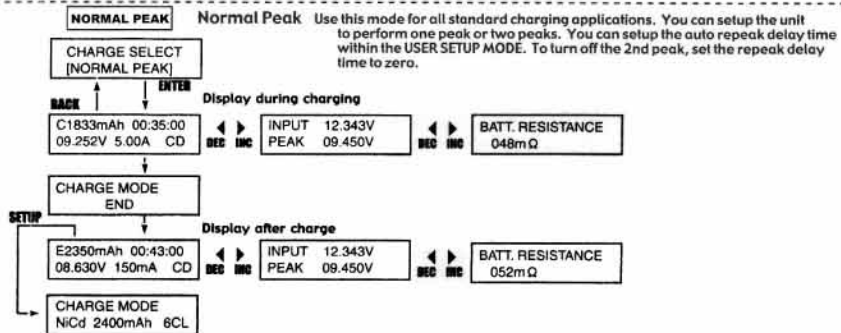


CHARGE



Change to CHARGE SELECT screen, when press "ENTER".
Choose charge selection control by DEC and INC buttons.
Then press "ENTER" to start.



SAFETY PRECAUTION

1. Do not leave the battery and the charger unattended while in use.
2. Do not operate the charger near water
3. It is the users responsibility to follow battery mfg. suggested charge rate. Users must also closely monitor the pack temperature during fast charging. Overcharging may occur if the CDC malfunction or when user does not follow battery mfg. recommended charges rate.
4. Never connect the charger to an automobile while it's engine is running.
5. This charger is not intended for use by unsupervised children.
6. This charger is designed for high power Ni-Cd & Ni-MH battery only.
7. When charging, also monitor the temperature of the charger. If the unit becomes too hot, disconnect the unit

CONNECTING THE POWER SOURCE & BATTERY PACK

Please see the SELECTION MENU CHART.

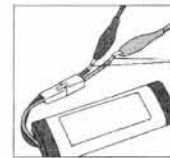
1. You can use any regulated supply or lead-acid battery which supplied 11.5-15volts DC with at least 10A capacity. 12V automotive charger also works fine. CDC shows Previous setup values when you connect the large input clips to power source.

The RED Positive (+) large input clips to the POS(+) terminal of the power source, BLACK Negative(-) large input clips to the NEG(-) terminal of the power source.

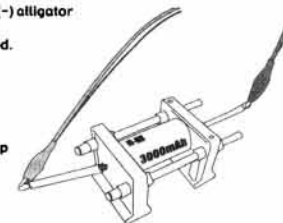
2. Connect the small alligator output clips to your NI-CD or NI-MH pack.

The RED positive(+) alligator output clips to the positive(+) side of the battery wire, BLACK negative(-) alligator output clip to the negative (-) side of the battery wire.

A poor connection can cause the charger to FALSE PEAK and turn off before a full charge is completed.



The connector wires must be different length, this would help prevent short circuit.



*Please use EAGLE BATTERY HOLDER when matching single cell batteries.

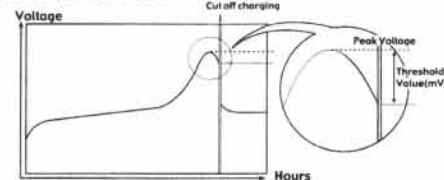
3. BATTERY INFORMATION

Change to the BATTERY INFORMATION SCREEN when you press the back button. Follows 1-9 selection control by DEC and INC.

- 1) Select the battery type, change to next screen when press "ENTER"
- 2) Select the number of cells, change to next screen by pressing "ENTER"
- 3) Select the proper battery capacity, change to next screen by pressing "ENTER"
- 4) Select the desire charge current, change to next screen by pressing "ENTER"
Please see the RATE-SELECTABLE CHART.
- 5) Select the desire discharge current, change to next screen by pressing "ENTER"
Please see the RATE-SELECTABLE CHART.
- 6) Select the desire value of volt threshold, change to next screen by pressing "ENTER"

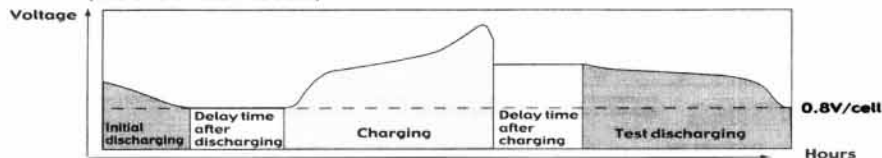
VOLT THRESHOLD SETTING

The volt threshold value entered the drop in millivolts that the CDC looks for determine that the battery pack has peaked. This is adjustable from 3 to 20mV/cell(Ni-CD) and 3 to 15mV/cell(Ni-MH). To adjust, push the DEC and INC buttons from the Volt Threshold screen. Please see the RATE-SELECTABLE CHART.



- CAUTION:**
1. If you setup higher volt threshold value than the rate is more than standard threshold value, the CDC gives longer charge to the battery. This may overcharge your pack, causing chemical leak & overheat, internal damage to your batteries will result.
 2. Don't use "RATE-SELECTABLE CHART" value for old and damaged battery, The CDC will not work correctly.

- 7) Select the desire number of cycle, change to next screen by pressing "ENTER"
(THE ONE CYCLE PROCESS)



- 8) Select the delay time for after charge, change to next screen by pressing "ENTER"
- 9) Select the delay time for after discharge, change to next screen by pressing "ENTER"

During BATTERY INFO setup screen, you can press DEC and INC together to initiate a Jump command. This shortcut is for experience users to bypass charge and discharge setup screens. JUMP command brings you to your preset charge, discharge and cycle modes without going through the usual setup screens.