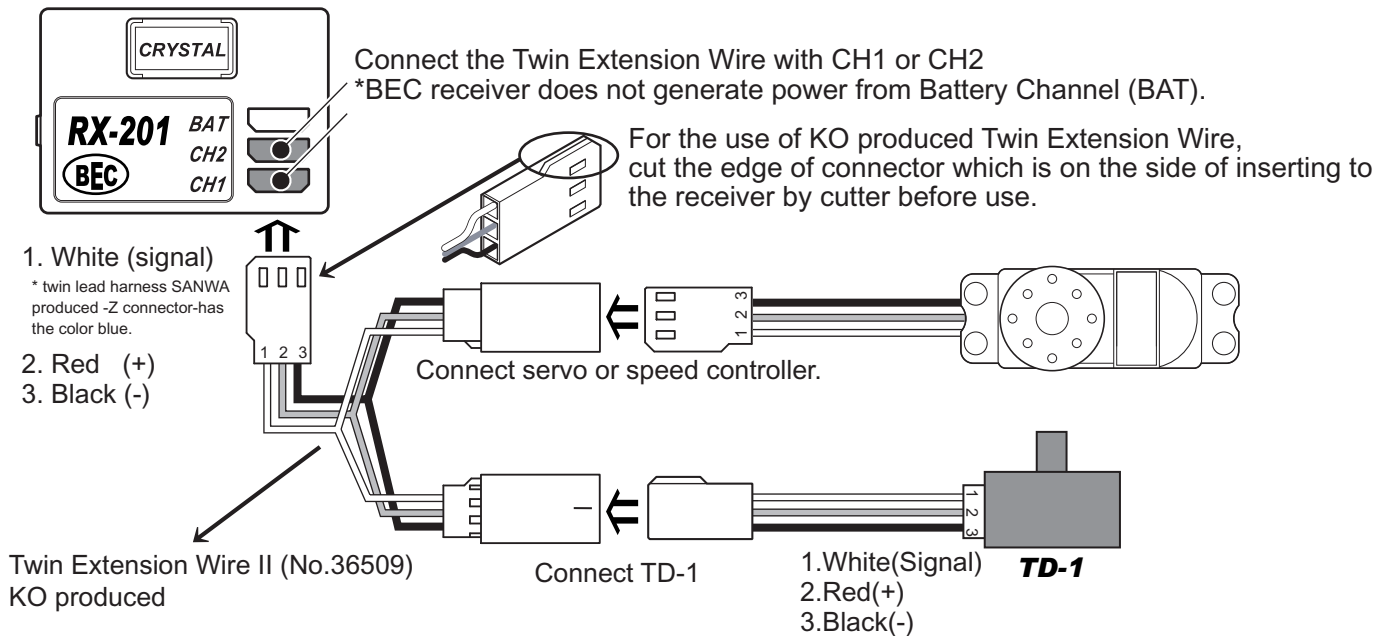
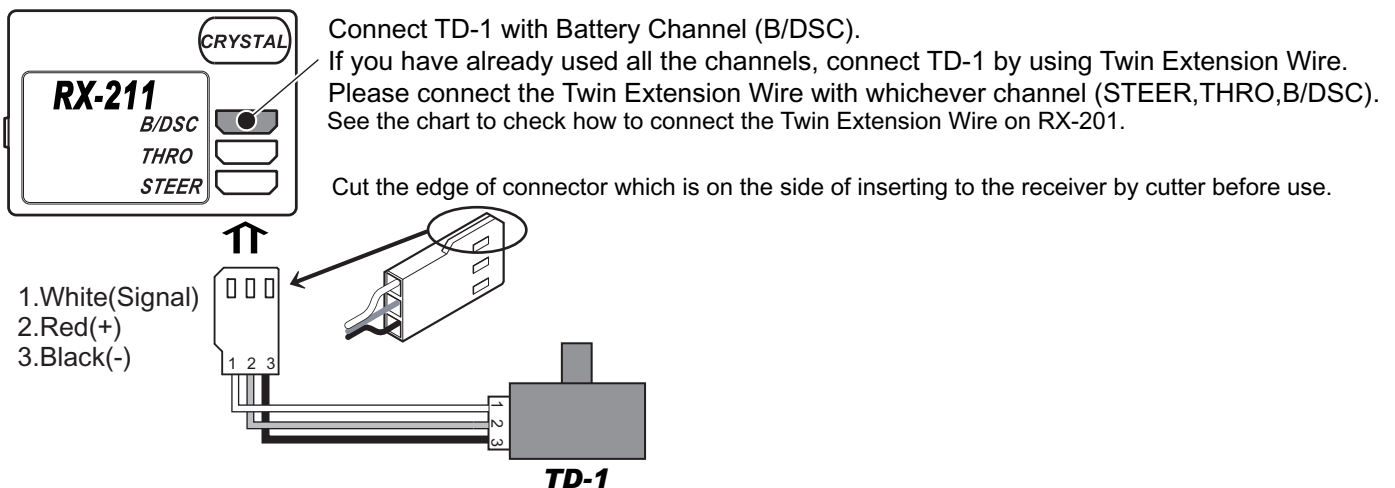


# In case of Connecting TD-1 (small transmitter) with SANWA receiver

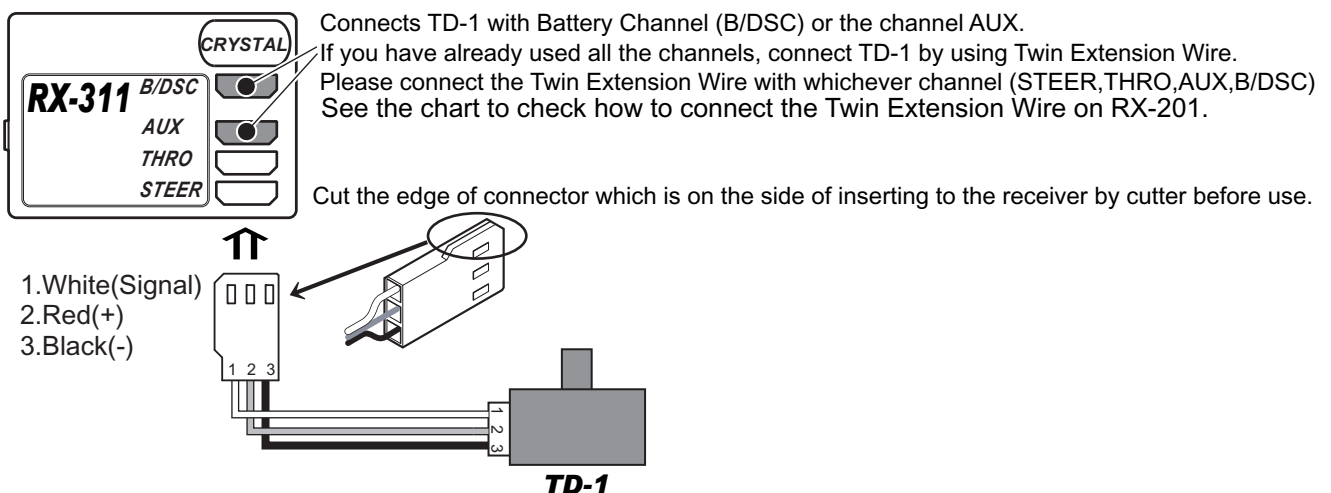
## RX-201 (BEC)



## RX-211



## RX-311



※ For the use of other receiver, please refer to above connection method.