



Setup Sheet

Driver: _____

Date: _____

Track: _____

<input type="checkbox"/> Indoor	<input type="checkbox"/> Carpet	<input type="checkbox"/> Sealed
<input type="checkbox"/> Outdoor	<input type="checkbox"/> Concrete	<input type="checkbox"/> Smooth
<input type="checkbox"/> Tight / <input type="checkbox"/> Open	<input type="checkbox"/> Asphalt	<input type="checkbox"/> Rough

Front Suspension (Circle or Check the Appropriate Settings)

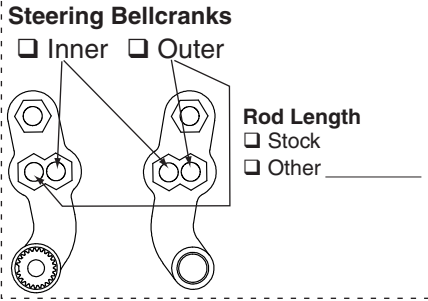
In Out _____ °

Ride Height _____

Camber - + _____ °

Caster Stock Other _____ °

Sway Bar No Yes size _____



Notes:

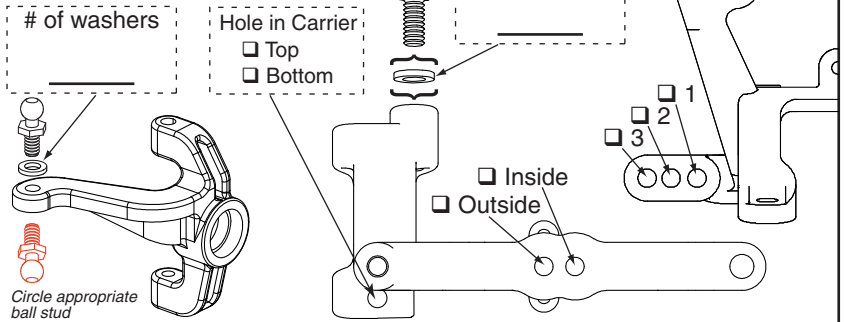
Front Shocks

Oil: _____

Piston: _____ Standard / Drilled

Spring: _____

Limiters: Inside- _____ Outside- _____



Rear Suspension

Toe-In Inside Outside _____ °

Ride Height _____

Camber - + _____ °

Pivot Support No Shim Shim Under Front Shim Under Rear

Sway Bar No Yes size _____

Notes:

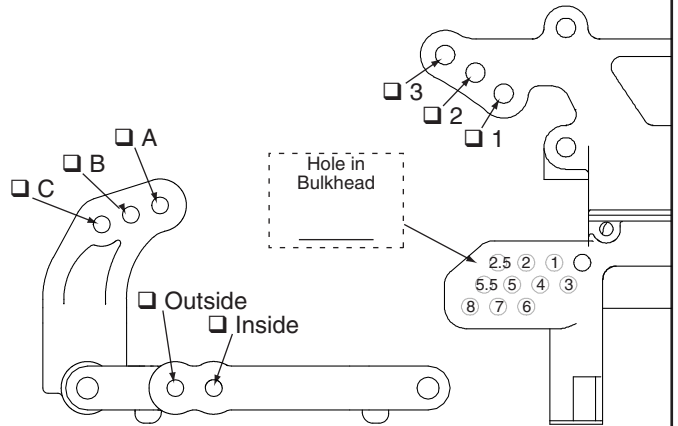
Rear Shocks

Oil: _____

Piston: _____ Standard / Drilled

Spring: _____

Limiters: Inside- _____ Outside- _____



Tires _____ Compound _____ Foam _____ Length _____

Front: _____

Rear: _____

Clic ker Adjustment: Locked One-Way: _____

Battery Placement: Back Forward Other: _____

Transponder Position: _____

Notes: _____

Motor: _____

Pinion: _____

Spur: _____

Tire Diameter: _____

Body: _____

Wing: _____

Size: _____